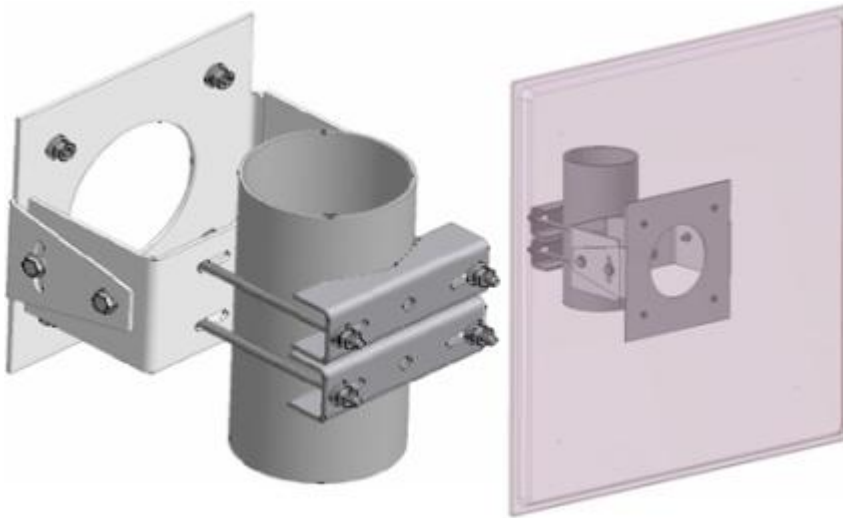


Mount for CPE / Subscriber Large Size Antennas MNT-60

MNT-60 Features:

- Elevation Adjustable Mount for
- Suitable for pole or wall mounting
- Allows for angle of inclination of 16°
- Made of Steel SAE1020, Resist to Corrosion
- Comes with all required hardware in a kit form
- Heavy duty



Specifications:

Mechanical Parameters

Material	STEEL, GALVANIZED
Kit Weight	2 kg
Load	700 N
Suitable for pole diameter range	1 - 4 " (inch)
Movement	Elevation $\pm 16^\circ$ (with antenna 600 x 600 mm mounted)

Environmental

Operating Temperature Range	- 40°C to + 85°C
Vibration	According to IEC 60721-3-4
Flammability	UL94
Ice and Snow	25 mm radial (survival)
Wind Load	210 km/h
Humidity	ETS 300 019-1-4. EN 302 085 (annex A.1.1)
Service Life	>10 years